

KGV..

en Operating instructions
ru Инструкция по эксплуатации
uk Інструкція з експлуатації



BOSCH

en Index

Information concerning disposal	4	Freezing and storing frozen food	10
Safety and warning information	4	Fast freeze	10
Getting to know your appliance	6	Freezing food	10
Fascia	6	Defrosting frozen produce	11
Note ambient temperature and ventilation	7	Switching off the appliance	11
Connecting the appliance	7	Defrosting the freezer compartment ...	12
Switching on the appliance	8	Cleaning the appliance	12
Selecting the temperature	8	Tips for saving energy	13
Storing food	8	Operating noises	13
Special features	9	Eliminating minor faults yourself	14
		Customer service	15

ru Содержание

Указания по утилизации	16	Суперзамораживание	26
Указания по безопасности и предупреждения	17	Замораживание продуктов питания	26
Знакомство с холодильником	19	Размораживание замороженных продуктов	27
Панель управления	20	Выключение холодильника	28
Температура окружающей среды и вентиляция	21	Размораживание морозильного отделения	28
Подключение холодильника	21	Чистка холодильника	29
Включение бытового прибора	22	Как сэкономить электроэнергию .	30
Установка температуры	22	Рабочие шумы	30
Размещение продуктов питания ..	23	Самостоятельное устранение мелких неисправностей	31
Специальное оснащение	24	Служба сервиса	33
Замораживание и хранение продуктов	25		

uk Зміст

Рекомендації з утилізації	34	Функція швидкого заморозування «SuperFreezing»	46
Рекомендації з дотримання безпеки та застереження	35	Заморожування продуктів	46
Ознайомлення з приладом	38	Розморожування заморожених продуктів	48
Панель управління	39	Вимкнення приладу та зупинка роботи приладу	48
Звертайте увагу на температуру в приміщенні та вентиляцію	40	Розморожування морозильної камери	49
Підключення приладу до електромережі	40	Миття приладу	49
Ввімкнення приладу	41	Заощадження енергії	50
Вибір температури	41	Шуми при експлуатації	51
Розміщення продуктів харчування у холодильній камері	42	Як самостійно усунути незначні несправності в роботі приладу	52
Спеціальне оснащення	43	Сервісні центри	54
Холодильна камера	44		
Морозильна камера	44		
Заморожування та зберігання продуктів	45		

Information concerning disposal

Disposal of packaging

The packaging protects your appliance from damage during transit. All packaging materials are environmentally friendly and recyclable. Please contribute to a better environment by disposing of packaging materials in an environmentally-friendly manner.

Please ask your dealer or inquire at your local authority about current means of disposal.

Disposal of your old appliance

Old appliances are not worthless rubbish! Valuable raw materials can be reclaimed by recycling old appliances.

Warning

Redundant appliances:

1. Pull out the mains plug.
2. Cut off the power cord and discard with the mains plug.

Refrigerators contain refrigerants and the insulation contains gases. Refrigerant and gases must be disposed of properly. Ensure that tubing of the refrigerant circuit is not damaged prior to proper disposal.

Safety and warning information

Before you switch ON the appliance

Please read the operating and installation instructions carefully.

They contain important information on how to install, use and maintain the appliance.

Keep all documentation for subsequent use or for the next owner.

Technical safety

- This appliance contains a small quantity of environmentally-friendly but flammable R600a refrigerant. Ensure that the tubing of the refrigerant circuit is not damaged during transportation and installation. Leaking refrigerant may cause eye injuries or ignite.

If damage has occurred

- Keep naked flames and/or ignition sources away from the appliance.
- Thoroughly ventilate the room for several minutes.
- Pull out the mains plug.
- Notify customer service.

The more refrigerant an appliance contains, the larger the room must be. Leaking refrigerant can form a flammable gas-air mixture in rooms which are too small.

The room must be at least 1 m³ per 8 g of refrigerant. The amount of refrigerant in your appliance is indicated on the rating plate inside the appliance.

- Only customer service may change the power cord and carry out any other repairs. Improper installations and repairs may put the user at considerable risk.

Important information when using the appliance

- Never use electrical appliances inside the appliance (e. g. heaters, electric ice makers, etc.). **Risk of explosion!**
- Never use a steam cleaner to defrost or clean the appliance. The steam may penetrate electrical parts and cause a short-circuit.
Risk of electric shock!
- Do not use pointed or sharp-edged implements to remove frost or layers of ice.
You could damage the refrigerant tubing. Leaking refrigerant may ignite or cause eye injuries.
- Do not store products which contain flammable propellants (e. g. spray cans) or explosive substances in the appliance. **Explosion hazard!**
- Do not stand or support yourself on the base, drawers or doors, etc.
- Before defrosting or cleaning the appliance, switch off the appliance, pull out the mains plug or switch off the fuse.
Pull on the mains plug, not on the power cord.
- Bottles which contain a high percentage of alcohol must be sealed and stored in an upright position.
- Keep plastic parts and the door seal free of oil and grease. Otherwise, parts and door seal will become porous.
- Never cover or block the ventilation openings for the appliance.

- Do not store bottled or canned drinks (especially carbonated drinks) in the freezer compartment. Bottles and cans may explode!
- Never put frozen food straight from the freezer compartment into your mouth.
Risk of low-temperature burns!
- Avoid prolonged touching of frozen food, ice or the evaporator pipes, etc.
Risk of low-temperature burns!

Children in the household

- Keep children away from packaging and its parts. Danger of suffocation from folding cartons and plastic film!
- Do not allow children to play with the appliance!
- If the appliance features a lock, keep the key out of the reach of children.

General requirements

The appliance is suitable

- for refrigerating and freezing food,
- for making ice.

The appliance is designed for domestic use.

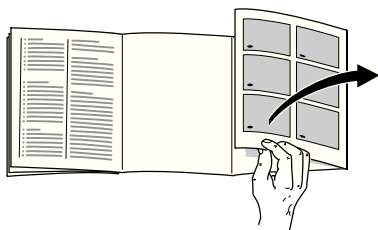
The appliance has been interference-suppressed in compliance with EU Directive

ГОСТ Р 51318.14.1-99,
ГОСТ Р 51318.14.2-99,
ГОСТ Р 51317.3.2-99,
ГОСТ Р 51317.3.3-99.

The refrigerant circuit has been tested for leaks.

This product complies with the relevant safety regulations for electrical appliances
ГОСТ Р МЭК 60335-2-24.

Getting to know your appliance



Please fold out the illustrated last page. These operating instructions refer to several models.

The illustrations may differ.

Fig. 1

1–4 Fascia

- 5 Light switch
 - 6 Interior light
 - 7 Drawer
 - 8 Shelf in the refrigerator compartment
 - 9 Vegetable container
 - 10 Freezer drawers
 - 11 Height-adjustable feet
 - 12 Butter and cheese compartment
 - 13 Egg rack
 - 14 Shelf for large bottles
- A Refrigerator compartment
 - B Freezer compartment

Fascia

Fig. 2

1 On/Off button

Switches the whole appliance on and off.

2 Temperature selection button

Press the button until the required temperature lamp illuminates.

3 Temperature display lamp

The figures next to the green lights indicate refrigerator compartment temperatures in “°C”. The lit lamp indicates the selected temperature. The light flashes until the selected temperature is reached.

Note: Lower temperatures which are set in the refrigerator compartment will also cause lower temperatures in the freezer compartment.

4 Fast freezing button

Switches super freezing on and off. When the yellow lamp is lit, this indicates that fast cooling has started.

Fast freezing is used to freeze large quantities of fresh food and, depending on the quantity, must be switched on up to 24 hours before the food is placed in the freezer compartment.

Attention! “Fast freeze” may also slightly increase refrigeration of the refrigerator compartment.

Note ambient temperature and ventilation

The climatic class can be found on the rating plate. It specifies the ambient temperatures at which the appliance may be operated. The rating plate is located at the bottom left-hand side inside the fridge.

Climatic category	Permitted ambient temperature
SN	+10 °C to 32 °C
N	+16 °C to 32 °C
ST	+18 °C to 38 °C
T	+18 °C to 43 °C

The ambient temperature must not, or may only briefly, drop below the minimum ambient temperature. Otherwise, the freezer compartment will become too warm and the frozen food may thaw.

Ventilation

The air at the back of the appliance will heat up. This warm air must be allowed to freely escape, otherwise the refrigerating machine must perform more. This raises electricity consumption. Hence, the air-inlet and outlet apertures should never be covered or blocked off!

Connecting the appliance

After installing the appliance, wait at least ½ hour before switching on the appliance. During transportation the oil in the compressor may have flowed into the refrigeration system.

Before switching on the appliance for the first time, clean the interior (see Cleaning).

The socket should be freely accessible. Connect the appliance to 220–240 V/50 Hz alternating current via a correctly installed earthed socket. The socket must be fused with a 10-A to 16-A fuse.

If the appliance is to be operated in a non-European country, check on the rating plate whether the indicated voltage and current type correspond to the values of your mains supply. The rating plate is situated in the bottom left-hand side of the appliance. The mains connection cable may be replaced by an electrician only.

Warning!

Never connect the appliance to electronic energy saver plugs or to power inverters which convert the direct current to 230 V alternating current (e.g. solar equipment, power supplies on ships).

Switching on the appliance

Fig. 2

Press main switch 1. The temperature display light flashes until the required temperature has been reached. Interior light is switched on when the door is open.

Selecting the temperature

The set values can be changed; see description of the fascia.

The factory has recommended and set the following temperatures:

Refrigerator compartment +4 °C

Perishable food should not be stored warmer than +4 °C.

Operating tips

- The sides of the housing are sometimes heated slightly. This prevents condensation in the area of the door seal.
- While the refrigerating unit is running, beads of water or hoarfrost form at the back of the refrigerator compartment. This is quite normal. It is not necessary to scrape off the frost or wipe off the beads of water. The rear panel defrosts automatically. The condensation collects in the drainage channel, **Fig. 3**, and is conveyed to the refrigerating unit where it evaporates.

- If you cannot open the freezer compartment door immediately after closing it, wait 2–3 minutes until the partial vacuum has equalised.
- The doors have different opening angles:

Refrigerator compartment:	90°
Freezer compartment:	180°

Storing food

Note the refrigeration zones in the refrigerator compartment!

The air circulation in the refrigerator compartment produce different refrigerant zones:

• Coldest zones

are on the rear panel inside the compartment and on the lowest shelves. **Fig. 4**

Store perishable food (e.g. fish, sausage, meat) in the coldest zones.

Note: When setting low temperature values subzero temperature may occur in these zones.

• Warmest zone

is at the very top of the door.

Note: Store e.g. cheese and butter in the warmest zone. When served, the cheese will not have lost its flavour and the butter will be easy to spread.

Please note

Wrap or cover food before placing in the appliance. This will retain the aroma, colour and freshness of the food. Transfer of flavour and discoloration of the plastic parts will also be prevented.

Note:

If required, you can vary the shelves inside the appliance: pull the shelf forwards, lower and swivel out to the side. **Fig. 5**

We recommend that you arrange the food inside the refrigerator as follows:

- **in the freezer compartment:**
deep-frozen goods, ice-cubes, ice-cream
- **on the shelves in the main refrigerator section** (from the top down): bakery products, ready-to-eat items, dairy products, meat and salami
- **in the vegetable containers:**
vegetables, lettuce, fruit
- **in the door racks** (from the top down):
butter, cheese, eggs, tubes, small bottles, large bottles, milk and fruit-juice cartons.

Usable capacity

Information on the usable capacity can be found inside your appliance on the rating plate.

Special features

(not all models)

Pull-out drawer

Fig. 6

The drawer can be removed for adding and removing food. Lift the drawer and pull out. The drawer holder can be adjusted.

Bottle shelf

Fig. 7

Bottles can be stored securely on the bottle shelf. The holder can be adjusted.

Bottle holder

Fig. 8

The bottle holder prevents bottles from falling over when the door is opened and closed.

Freezing and storing frozen food

Purchasing deep-frozen food

Packaging must not be damaged.

Use by the “best-before” date.

Temperature in the supermarket freezer –18 °C or lower.

If possible, transport deep-frozen food in an insulated bag and place quickly in the freezer compartment.

Storing frozen food

- To ensure good air circulation in the appliance, insert the freezer drawers all the way.
- If you have to store lots of food, it is possible to transfer the food to the carrying trays and stack it on the base of the freezer base. To do this, remove all the freezer drawers. Pull out the freezer drawers all the way, lift at the front and remove. **Fig. 9**

Making ice cubes

Fig. 10

Fill the ice-cube tray $\frac{3}{4}$ full of water and place in the bottom of the freezer compartment. If the ice-cube tray is stuck to the freezer compartment, dislodge with a blunt implement only (spoon handle).

To loosen the ice cubes, hold the tray briefly under running water or twist the tray slightly.

Fast freeze

Several hours before placing fresh food in the freezer compartment, switch on “fast freeze”.

4–6 hours is usually adequate. If the max. freezing capacity is used, 24 hours are required. Smaller quantities of food can be frozen without “Fast freeze”. To switch on “Fast freeze”, simply press the “Fast freeze” button **Fig. 2/4**.

“Fast freeze” switches off automatically after 2½ days at the latest.

Freezing food

Food should be frozen solid as quickly as possible. To retain vitamins, nutritional value, appearance and flavour, do not exceed max. freezing capacity. If freezing food in the freezer drawers, the max. freezing capacity is reduced slightly.

Freezing capacity

Information about the max. freezing capacity within 24 hours can be found on the rating plate.

The max. freezing capacity is reached on the upper wire shelf.

Keep food which is to be frozen away from food which is already frozen.

To retain the flavour and prevent the food from drying out, pack airtight.

How to wrap food correctly:

The following products are suitable for wrapping food:

plastic film, polyethylene blown film, aluminium foil and freezer tins.

These products can be purchased from your dealer.

The following products are not suitable for wrapping food:

wrapping paper, greaseproof paper, cellophane, refuse bags and used shopping bags.

The following products are suitable for sealing the wrapped food:

rubber bands, plastic clips, string, cold-resistant adhesive tape or similar. Bags and polyethylene blown film can be sealed with a film sealer.

Storage duration of the frozen food at medium setting

fish, sausage, ready meals and cakes and pastries	up to 6 months
cheese, poultry, meat	up to 8 months
vegetables, fruit	up to 12 months

Defrosting frozen produce

Depending on the type of food and intended use, frozen produce can be defrosted:

- At room temperature,
- In a refrigerator,
- In an electric oven, with/without fan assisted hot-air,
- In a microwave

Note

Do NOT refreeze food which is beginning to defrost or which has already defrosted. Only food which is subsequently prepared (cooked or fried) may be refrozen.

No longer store the frozen produce for the max. storage period.

Switching off the appliance

Press button **Fig. 2/1**. Temperature display lamp **Fig. 2/3** goes out. The cooling process and the lighting are thereby switched off.

Disconnecting the appliance

If the appliance is not to be used for a prolonged period:

1. Pull out the mains plug
2. Cleaning the appliance
3. Leave the appliance door open.

Defrosting the freezer compartment

Proceed as follows

- Remove the freezer drawers containing the food. Place the ice blocks (if enclosed) on the food. Wrap the frozen food in several sheets of newspaper and store in a cool location.
- Pull out the mains plug or disconnect the fuse.
- Defrost the appliance.
- After defrosting the appliance, wipe up the condensation on the floor of the freezer compartment with a sponge.
- Clean with water and a little washing-up liquid. Clean the door seal with water only and then dry thoroughly.
- Switch on the appliance again.
- Put the frozen food back in the freezer compartment.

Defrosting sprays

Follow the manufacturer's instructions.

Cleaning the appliance

1. Attention: Pull out the mains plug or switch off the fuse!
2. Wipe the door seal with clear water only and then wipe dry thoroughly.
3. Clean the appliance with lukewarm water and a little washing-up liquid. The rinsing water must not drip onto the fascia or light **Fig. 2**.
4. After cleaning: reconnect and switch on the appliance.

Door shelves can be removed for cleaning. **Fig. 11**

Do not use abrasive or acidic cleaning agents and solvents.

Regularly clean the condensation channel and drainage hole, **Fig. 3**, with a cotton bud or similar implement to ensure that the condensation can drain.

The rinsing water must not run through the drain hole into the evaporation pan.

Attention:

Never clean the shelves or containers in the dishwasher. The parts may warp!

Tips for saving energy

- Install the appliance in a cool, well ventilated room, but not in direct sunlight and not near a heat source (radiator, cooker, etc.). Otherwise, use an insulating plate.
- Leave warm food and drinks to cool down first.
- Open the appliance door as briefly as possible.
- Defrost and clean the appliance.
- Occasionally clean the rear of the appliance with a vacuum cleaner or paint brush to prevent an increased power consumption.

Operating noises

Normal noises

Humming – refrigerating unit is running.

Bubbling, gurgling or whirring noises – refrigerant is flowing through the tubing.

Clicking – motor is switching on or off.

Preventing noises

The appliance is not level

Please align the appliance with a spirit level. Use the height-adjustable feet or place something under the feet.

The appliance is not free-standing

Please move the appliance away from adjacent units or appliances.

Drawers or storage areas wobble or stick

Please check the removable parts and, if required, reinsert them.

Bottles or receptacles are touching each other

Please move bottles or receptacles away from each other.

Eliminating minor faults yourself

Before you call customer service:

Please check whether you can eliminate the fault yourself based on the following information.

Customer service will charge you for advice, even if the appliance is still under guarantee!

Fault	Possible cause	Remedial action
Temperature differs greatly from the set value.		<p>In some cases it is adequate to switch off the appliance for 2 minutes.</p> <p>If the temperature still differs try again after an hour.</p> <p>If the temperature is too high wait a few hours and check whether the temperature has approached the set value.</p> <p>If the temperature is too low check the temperature again the next day.</p>
Light does not function.	<p>The bulb is defective.</p> <p>Light switch is sticking. Fig. 11/5</p>	<p>Change the bulb Fig. 12</p> <ol style="list-style-type: none"> 1. Pull out the mains plug or disconnect the fuse. 2. Change the incandescent bulb (replacement bulb max. 15 W, 220–240 V a.c., E14 lampholder). <p>Check whether it can be moved.</p>
Floor of the refrigerator compartment is wet.	The condensation outlet is blocked.	Clean the condensation channel and outlet Fig. 3 , (see Cleaning the appliance).
Displays do not illuminate.	Power failure; the fuse has been switched off; the mains plug has not been inserted properly.	Check whether the power is on, the fuse must be switched on.

Fault	Possible cause	Remedial action
The temperature in the refrigerator compartment is too cold.	Temperature has been set too low.	Increase the temperature.
The interior light glows at a reduced luminosity when the door is almost closed (or light switch depressed).	Ambient temperature is below 20 °C or fast freeze has been switched on. Not a fault!	The interior light goes out again at ambient temperatures above 20 °C or after fast freeze has been switched off.
There is a thick layer of frost in the freezer compartment.		Defrost the freezer compartment (see Defrosting). Always ensure that the freezer compartment door is closed properly.
The temperature in the freezer compartment is too warm.	<ul style="list-style-type: none"> Freezer compartment door is open. The ventilation openings have been covered. Too much food was placed in the freezer compartment at once. 	<p>Close the door.</p> <p>Ensure that there is adequate ventilation.</p> <p>Do not exceed max. freezing capacity.</p>

Customer service

Please check your telephone book or the customer-service list for your nearest customer-service facility. When contacting customer service, please ALWAYS quote the product number (E-number) and production number (FD-number) of your appliance.

These numbers can be found on the rating plate. **Fig. 13**

To prevent unnecessary call-outs, please assist customer service by quoting the product and production numbers. This will save you additional costs.

Указания по утилизации

Утилизация упаковки

Упаковка защищает Ваш бытовой прибор от транспортных повреждений. Все используемые в качестве упаковки материалы не наносят вреда окружающей среде и пригодны для вторичного использования. Внесите, пожалуйста, свой вклад в дело защиты окружающей среды, сдав упаковку на экологичную утилизацию.

Информацию об актуальных методах утилизации Вы можете получить у Вашего торгового агента или в органах коммунального управления по месту Вашего жительства.

Утилизация старого холодильника

Отслужившие свой срок холодильники нельзя рассматривать как ненужный мусор! Благодаря экологичной утилизации из них удается получить ценное сырье.

Предупреждение

В случае с отслужившими свой срок холодильниками:

1. Извлеките вилку из розетки.
2. Отрежьте сетевой шнур и уберите его подальше вместе с вилкой.

В холодильной установке содержится хладагент, а в изоляции холодильника – газы, утилизация которых должна быть проведена квалифицированно. Трубки контура, по которому циркулировал хладагент, ни в коем случае не должны быть повреждены до начала утилизации.

Указания по безопасности и предупреждения

Перед вводом холодильника в эксплуатацию

Внимательно прочтите инструкцию по монтажу и эксплуатации! В ней содержится важная информация по установке, использованию и техобслуживанию холодильника.

Сохраните всю документацию для позднейшего использования или на случай передачи ее следующему владельцу холодильника.

Техническая безопасность

- В холодильнике содержится незначительное количество экологически чистого, но воспламеняющегося хладагента R600a. Следите, пожалуйста, за тем, чтобы при транспортировке или монтаже холодильника не были повреждены трубки контура, по которому циркулирует хладагент. Попавшие наружу брызги хладагента могут воспламениться или вызвать воспаление глаз.

При повреждениях

- не подходите близко к холодильнику с открытым пламенем или какими-либо иными источниками воспламенения,
- хорошо проветрите помещение в течение нескольких минут,
- извлеките вилку из розетки,
- сообщите о повреждениях в сервисную службу.

Чем большее количество хладагента содержится в холодильнике, тем больше должно быть помещение, в котором холодильник установлен. В слишком маленьких помещениях при утечке хладагента может образоваться горючая смесь паров хладагента с воздухом.

На каждые 8 г хладагента должен приходиться как минимум 1 м³ помещения. Количество хладагента, содержащееся в Вашем холодильнике, приведено в типовой табличке, расположенной внутри холодильника.

- Замена сетевого шнура и прочие ремонтные работы должны выполняться только специалистами сервисной службы. Неквалифицированно выполненные установка и ремонт холодильника могут превратить его в источник серьезной опасности для пользователя.

При использовании

- Никогда не включайте внутри холодильника какие-либо другие электроприборы (напр., нагревательные приборы, электрические мороженицы и пр.).

Взрывоопасность!

- Никогда не проводите размораживание или чистку холодильника с помощью пароочистителя! Пар может попасть на электрические детали и вызвать короткое замыкание.

Опасность поражения электрическим током!

- Иней и лед нельзя удалять с помощью предметов с острым концом или острыми краями. Тем самым Вы можете повредить трубки, по которым циркулирует хладагент. Брызги хладагента могут воспламениться или, попав в глаза, вызвать их воспаление.

- Нельзя хранить в холодильнике аэрозольные баллончики с воспламеняющимися газами-вытеснителями и взрывоопасные вещества.

Взрывоопасность!

- Нельзя вставлять или опираться на цокольную панель, выдвижные боксы, двери холодильника и прочие элементы его конструкции.

- Для размораживания и чистки холодильник следует выключить, извлечь вилку из розетки или выключить предохранитель. Вилку следует извлекать за корпус, а не за сетевой шнур.
- Крепкие спиртные напитки можно хранить в холодильнике только в плотно закрытой, установленной вертикально посуде.
- Следите за тем, чтобы на пластмассовые детали холодильника и уплотнитель его двери не попадали жиры или масла. Иначе эти детали и уплотнитель могут стать пористыми.
- Никогда не закрывайте и ничем не загораживайте вентиляционные отверстия электроприбора.
- Никогда не закрывайте и ничем не загораживайте вентиляционные отверстия электроприбора.
- В морозильном отделении нельзя хранить жидкости в бутылках или жестяных банках (особенно газированные напитки). Бутылки и банки могут лопнуть!
- Никогда не берите замороженные продукты из морозильного отделения сразу в рот.

Опасность обморожения!

- Избегайте продолжительного контакта рук с замороженными продуктами, льдом или трубками испарителя и т. д.

Опасность обморожения!

Если дома есть дети

- Упаковку и ее составные части нельзя отдавать детям. Не исключена опасность удушья, которой дети подвергаются, закрывшись в картонной коробке или запутавшись в полиэтиленовой пленке!
- Холодильник – это не игрушка для детей!
- Для холодильника с дверным замком: храните ключ от замка в недоступном для детей месте!

Общие определения

Холодильник предназначен

- для охлаждения и замораживания продуктов питания,
- приготовления пищевого льда.

Холодильник предназначен для использования в домашнем хозяйстве.

Согласно требованиям ГОСТ Р 51318.14.1-99, ГОСТ Р 51318.14.2-99, ГОСТ Р 51317.3.2-99, ГОСТ Р 51317.3.3-99 холодильник при работе не создает помех радиоприему.

Контур циркуляции хладагента проверен на герметичность.

Данный холодильник отвечает соответствующим требованиям Предписаний по технике безопасности для электрических приборов ГОСТ Р МЭК 60335-2-24.

Знакомство с холодильником



Откройте, пожалуйста, последние страницы с рисунками. Данная инструкция по эксплуатации действительна для нескольких моделей холодильников.

Поэтому на рисунках возможны некоторые отличия.

Рисунок 1

- 1–4 Панель управления
 - 5 Выключатель освещения
 - 6 Внутреннее освещение
 - 7 Выдвижной контейнер
 - 8 Полки в холодильном отделении
 - 9 Бокс для овощей и фруктов
 - 10 Бокс для замороженных продуктов
 - 11 Винтовые ножки
 - 12 Отделение для масла и сыра
 - 13 Полка для яиц
 - 14 Полка для больших бутылок
- A** Холодильное отделение
B Морозильное отделение

Панель управления

Рисунок 2

1 Кнопка включения/выключения

Главный выключатель служит для включения и выключения всего холодильника.

2 Кнопка установки температуры

Нажимайте на кнопку до тех пор, пока не засветится лампочка под необходимым Вам значением температуры.

3 Лампочки индикации температуры

Цифры у зеленых лампочек означают температуру в холодильном отделении в «°C». Светящаяся лампочка показывает установленную температуру. Лампочка мигает до тех пор, пока установленная температура не будет достигнута.

Указание: если для холодильного отделения устанавливается более низкая температура, то в морозильном отделении становится также холоднее.

4 Кнопка суперзамораживания

Эта кнопка служит для включения и выключения функции суперзамораживания. При включении данной функции загорается желтая лампочка.

Данная функция служит для замораживания большого количества свежих продуктов питания и включается, в зависимости от количества продуктов, максимум за 24 часа до их загрузки.

Внимание! Во время суперзамораживания холодильное отделение также может сильнее охлаждаться.

Температура окружающей среды и вентиляция

Климатический класс холодильника указан в его типовой табличке. Он показывает, в каком диапазоне значений температуры окружающей среды можно эксплуатировать холодильник. Типовая табличка находится слева внизу внутри холодильника.

Климатический класс	Допустимая температура окружающей среды
SN	+10 °C до 32 °C
N	+16 °C до 32 °C
ST	+18 °C до 38 °C
T	+18 °C до 43 °C

Температура окружающей среды не должна или может лишь на короткое время опускаться ниже минимально допустимой для нее температуры. Иначе в морозильном отделении станет слишком «тепло», что может привести к подтаиванию замороженных продуктов.

Вентиляция

У задней стенки холодильника воздух нагревается. Нагретый воздух должен иметь возможность беспрепятственно удаляться. Иначе холодильный агрегат будет работать с повышенной мощностью. А это повышает расход электроэнергии.

Поэтому: никогда не закрывайте и ничем не загораживайте вентиляционные отверстия холодильника!

Подключение холодильника

После установки холодильника необходимо подождать минимум полчаса, прежде чем вводить его в эксплуатацию. Во время транспортировки холодильника содержащееся в компрессоре масло могло попасть в систему охлаждения.

Перед вводом холодильника в эксплуатацию в первый раз следует почистить его внутри (смотрите раздел «Чистка»).

Электрическая розетка должна быть легко доступна. Холодильник следует подключать к сети переменного тока с параметрами 220–240 В/50 Гц через установленную согласно предписаниям розетку с защитным контактом. Электрическая розетка должна быть защищена предохранителем, рассчитанным на ток 10 А –16 А.

В случае с холодильниками, которые будут эксплуатироваться в неевропейских странах, необходимо проследить, чтобы значение напряжения и вид тока, приведенные на типовой табличке, совпадали с параметрами Вашей электросети. Типовая табличка расположена внутри холодильника слева внизу. Замену сетевого шнура должен производить только квалифицированный специалист.

Предупреждение!

Ни в коем случае нельзя подключать холодильник к электронным энергоэкономичным штекерам или инверторам, которые преобразуют постоянный ток в переменный с напряжением 230 В (например, солнечные батареи, судовые электрические установки).

Включение бытового прибора

Рисунок 2

Нажмите главный выключатель 1. Лампочка индикации температуры мигает до тех пор, пока не будет достигнута необходимая температура. При открывании дверцы загорается лампочка внутреннего освещения.

Установка температуры

Установленные значения можно изменить (смотрите описание панели управления).

На заводе-изготовителе устанавливаются следующие значения температуры, которые не рекомендуется изменять:

холодильное отделение +4 °C

Скоропортящиеся продукты не должны храниться при температуре выше +4 °C.

Указания по эксплуатации

- Передняя сторона корпуса холодильника местами слегка подогревается, что препятствует образованию конденсата вокруг уплотнителя дверцы холодильника.
- Во время работы холодильной установки на задней стенке холодильного отделения образуются капли воды или иней, что обусловлено конструктивными особенностями бытового прибора. Соскребать иней или собирать воду не нужно. Задняя стенка оттаивает автоматически. Талая вода собирается в сливном желобке, **рисунок 3**, стекает в холодильную установку и там испаряется.

- Если после закрывания морозильного отделения его дверцу не удастся сразу открыть, то подождите, пожалуйста, две-три минуты, пока не скомпенсируется создавшееся внутри морозильного отделения пониженное давление.
- Двери холодильника открываются под различными углами:

Холодильное отделение: ок. 90°

Морозильное отделение: ок. 180°

Размещение продуктов питания

Обратите внимание на различные температурные зоны в холодильном отделении!

Из-за циркуляции воздуха в холодильном отделении возникают различные температурные зоны:

- **Самая холодная зона** находится у задней стенки внутри холодильного отделения и на самых нижних его полках.

Рисунок 4

в месте наиболее сильного охлаждения следует хранить скоропортящиеся продукты питания (например, рыбу, колбасу, мясо).

Примечание: при установке низких значений температур, в этих зонах может возникнуть отрицательная температура.

- **Самая теплая зона** находится в самом верху у дверцы холодильного отделения.

Рекомендация: в этом месте лучше всего хранить, например, сыр и масло. До подачи на стол сыр сохраняет свой аромат, а масло остается мягким.

На что обратить внимание при размещении продуктов

Продукты питания следует хранить в плотной упаковке или в закрытой посуде. В результате останутся неизменными аромат, цвет и свежесть продуктов. Кроме того, удастся избежать изменения вкуса продуктов в результате их соприкосновения друг с другом, а также изменения цвета пластмассовых деталей холодильника.

Указание:

Полки, расположенные внутри холодильного отделения, можно при необходимости переставлять: потяните полку на себя, опустите и затем извлеките ее сбоку.

Рисунок 5

Мы рекомендуем располагать продукты питания следующим образом:

- **В морозильном отделении:** замороженные продукты, кубики пищевого льда, мороженое.
- **На полках:** в холодильном отделении (сверху вниз): мучные изделия, готовые блюда, молочные продукты, мясо и колбасу.
- **В боксе для овощей:** овощи, листовая салат, фрукты.
- **На дверных полках:** (сверху вниз): масло, сыр, яйца, различные тюбики, маленькие бутылочки, большие бутылки, молоко, пакеты с соком.

Полезный объем

Данные, касающиеся полезного объема, Вы сможете найти внутри холодильника в его типовой табличке.

Специальное оснащение

(не во всех моделях)

Выдвижной контейнер

Рисунок 6

Чтобы продукты было удобнее загружать и выгружать, контейнер можно извлечь из холодильника. Для этого его следует приподнять. Держатель контейнера можно передвигать вдоль полки.

Полка для бутылок

Рисунок 7

Эта полка служит для безопасного хранения бутылок. Держатель для бутылок препятствует их опрокидыванию при открывании и закрывании двери холодильника. Держатель полки можно передвигать.

Держатель для бутылок

Рисунок 8

Держатель для бутылок препятствует их опрокидыванию при открывании и закрывании дверцы холодильника.

Замораживание и хранение продуктов

Покупка замороженных продуктов

Упаковка продуктов не должна быть поврежденной.

Срок годности не должен быть превышен.

Температура в морозильнике, в котором хранятся продукты в магазине, должна быть -18°C или ниже.

Замороженные продукты лучше всего транспортировать в сумке из изолирующего материала и дома как можно быстрее положить их в морозильное отделение холодильника.

Хранение замороженных продуктов

- Чтобы обеспечить безупречную циркуляцию воздуха внутри холодильника, задвигайте боксы для замороженных продуктов внутрь до упора.
- Если необходимо загрузить большое количество продуктов питания, то их можно сложить прямо на полки и дно морозильного отделения. Для этого следует извлечь все боксы для замороженных продуктов. Выдвиньте бокс наружу до упора, приподнимите его спереди и затем полностью извлеките из холодильника. **Рисунок 9**

Приготовление кубиков пищевого льда

Рисунок 10

Наполните ванночку для приготовления кубиков льда на $\frac{3}{4}$ водой и поставьте ее на дно морозильного отделения. Если она примерзнет ко дну морозильного отделения, то отделять ее можно только каким-либо тупым предметом (например, ручкой ложки).

Чтобы извлечь кубики льда из ванночки, ее можно немного подержать в проточной воде или слегка изогнуть.

Супер-замораживание

Если в морозильном отделении уже хранятся продукты питания, то за несколько часов до загрузки свежих продуктов следует включить функцию суперзамораживания.

В общем и целом достаточно 4–6 часов. Если будет использоваться макс. допустимая производительность замораживания, то потребуются 24 часа. Небольшие количества продуктов питания можно замораживать без включения функции суперзамораживания.

Для включения функции суперзамораживания просто нажмите на кнопку «super». **Рисунок 2/4**

Функция суперзамораживания выключается автоматически самое позднее через 2,5 дня.

Замораживание продуктов питания

Продукты питания должны как можно скорее промерзнуть до самой середины. Чтобы сохранились витамины, внешний вид и вкус свежих продуктов, не следует превышать максимальную производительность замораживания. При замораживании в боксах максимальная производительность замораживания уменьшается лишь незначительно.

Производительность замораживания

Данные по макс. производительности замораживания в течение 24 часов Вы найдете в типовой табличке.

Макс. производительность замораживания достигается на верхней решетке морозильного отделения.

Постарайтесь, чтобы предназначенные для замораживания свежие продукты питания не соприкасались с уже замороженными продуктами.

Чтобы вкус продуктов не изменялся, и продукты не высыхали, их следует герметично упаковать.

Как правильно упаковать продукты:

В качестве упаковки можно использовать:

пленку из различных синтетических материалов, рукава из полиэтиленовой пленки, алюминиевую фольгу, специальные емкости для замораживания продуктов.

Всю эту продукцию Вы найдете в специализированных магазинах.

В качестве упаковки нельзя использовать:

упаковочную или пергаментную бумагу, целлофан, мешки для мусора, использованные полиэтиленовые пакеты.

Для закрывания упаковки можно использовать:

резиновые кольца, пластмассовые зажимы, шпагат, морозостойкую клейкую ленту и пр. Мешки и рукава из полиэтиленовой пленки можно сварить с помощью специального сварочного аппарата.

Допустимые сроки хранения замороженных продуктов

при установке регулятора в среднее положение

рыба, колбаса, готовые блюда, хлебо-булочные изделия	до 6 месяцев
сыр, птица, мясо	до 8 месяцев
овощи, фрукты	до 12 месяцев

Размораживание замороженных продуктов

В зависимости от вида продуктов и их дальнейшего использования можно выбрать один из следующих методов размораживания:

- при комнатной температуре,
- в холодильнике,
- в электрическом духовом шкафу, с конвекцией горячего воздуха или без нее,
- в микроволновой печи.

Указание

Подтаявшие или полностью размороженные продукты не следует снова замораживать. Только после переработки продуктов (путем варки или жарения) готовое блюдо можно заморозить.

Но хранить готовые блюда уже нельзя так долго, как продукты, из которых они были приготовлены.

Выключение холодильника

Нажмите на кнопку. **Рисунок 2/1**
Лампочка индикации температуры погаснет, **рисунок 2/3**, система охлаждения и внутреннее освещение холодильника выключатся.

Вывод холодильника из эксплуатации

Если Вы долгое время не будете пользоваться холодильником:

1. Вытащите вилку из розетки
2. Почистите холодильник.
3. Оставьте дверцу холодильника открытой.

Размораживание морозильного отделения

Поступайте следующим образом

- Извлеките из морозильного отделения боксы с замороженными продуктами. Если в комплекте поставки холодильника имелись аккумуляторы холода, то положите их на продукты. Заверните замороженные продукты в несколько слоев газетной бумаги и поместите их в прохладное место.
- Вытащите вилку из розетки или выключите предохранитель.
- Разморозьте морозильное отделение.
- После размораживания соберите губкой воду на дне морозильного отделения.
- Проведите чистку морозильного отделения с использованием слабого водного раствора средства для мытья посуды вручную. Уплотнитель двери следует протереть лишь тряпкой, смоченной в чистой воде, и затем вытереть насухо.
- Снова включите холодильник.
- Загрузите в морозильное отделение замороженные продукты.

Аэрозоли для ускорения размораживания

Руководствуйтесь указаниями производителей этих средств.

Чистка ХОЛОДИЛЬНИКА

1. Внимание! Извлеките вилку из розетки или выключите предохранитель!
2. Уплотнитель дверцы холодильника следует лишь протереть тряпкой, смоченной в чистой воде, и затем тщательно вытереть его насухо.
3. Проводите чистку холодильника с использованием теплой воды, добавив в нее немного средства для мытья посуды вручную. Вода, используемая для чистки, не должна попасть внутрь панели управления или системы освещения. **Рисунок 2**
4. После чистки снова подключите холодильник к сети и включите его.

Полочки, расположенные на дверце холодильника, можно снять для удобства чистки. **Рисунок 11**

Не пользуйтесь абразивными и кислотосодержащими чистящими средствами, а также растворителями.

Чтобы талая вода могла беспрепятственно стекать, регулярно прочищайте желобок и отверстие для ее слива, **рисунок 3**, с помощью палочки или какого-либо другого подобного предмета.

Вода, используемая для чистки, не должна попадать через сливное отверстие в испарительный поддон.

Внимание!

Никогда не мойте полки и контейнеры холодильника в посудомоечной машине. Они могут деформироваться!

Как сэкономить электроэнергию

- Холодильник следует устанавливать в сухом, хорошо проветриваемом помещении. Он не должен стоять на солнце или поблизости от источника тепла (например, радиатора отопления, электроплиты). При необходимости воспользуйтесь изолирующей плитой.
- Горячие блюда и напитки перед закладыванием в холодильник следует охладить.
- Закрывайте дверцу холодильника как можно скорее.
- Проведите размораживание и чистку холодильника.
- Во избежание повышенного потребления электроэнергии заднюю стенку холодильника следует время от времени чистить пылесосом или кисточкой.

Рабочие шумы

Совершенно нормальные шумы

Гудение – работает холодильный агрегат,

Бульканье или **жужжание** – хладагент течет по трубкам.

Щелчки – двигатель включается или выключается.

Устранение посторонних шумов

Холодильник стоит неровно

Выровняйте, пожалуйста, холодильник с помощью ватерпаса. Для этого отрегулируйте по высоте винтовые ножки или подложите что-нибудь под них.

Прибор «зажат»

Отодвиньте его, пожалуйста, от расположенной рядом мебели или других приборов.

Полки или контейнеры качаются или их заклинило

Проверьте, пожалуйста, как установлены съемные детали, и при необходимости расположите их правильно.

Бутылки или прочие емкости прикасаются друг к другу

Немного отодвиньте, пожалуйста, бутылки или емкости друг от друга.

Самостоятельное устранение мелких неисправностей

Прежде чем вызвать Службу сервиса:

проверьте, не сможете ли Вы устранить неполадки самостоятельно с помощью приведенных ниже рекомендаций.

Вам придется оплачивать вызов специалистов Службы сервиса для консультации самостоятельно – даже во время гарантийного срока!

Неисправность	Возможная причина	Устранение:
Фактическая температура сильно отличается от заданной.		<p>В некоторых случаях достаточно выключить холодильник на 5 минут.</p> <p>Если температура слишком высокая, то через несколько часов следует проверить, не опустилась ли она немного ближе к заданной.</p> <p>Если температура слишком низкая, то проверьте ее на следующий день еще раз.</p>
Освещение не функционирует.	<p>Перегорела лампочка накаливания.</p> <p>Выключатель освещения заклинило.</p>	<p>Замените лампочку Рисунок 12</p> <ol style="list-style-type: none"> 1. Извлеките вилку из розетки или выключите предохранитель. 2. Замените лампочку (параметры запасной лампочки: макс. 15 Вт, 220–240 В, переменный ток, цоколь E14). <p>Попробуйте подвигать выключатель.</p>
	Рисунок 11/5	

Неисправность	Возможная причина	Устранение:
Пол холодильного отделения мокрый.	Засорилась трубка для слива талой воды.	Проведите чистку желобка и отверстия для слива талой воды, рисунок 3 , как описано в разделе «Чистка холодильника»).
Не горит ни один из индикаторов	Отключили электро-энергию; сработал предохранитель; вилка «болтается» в розетке.	Проверьте, есть ли напряжение в электросети, включите предохранитель.
Температура в холодильном отделении слишком низкая.	Установлена слишком низкая температура.	Установите более высокую температуру.
При почти закрытой дверце (или нажатом выключателе освещения) лампочка внутреннего освещения продолжает слабо светиться	Температура в помещении опустилась ниже 20 °С или включена функция суперзамораживания. Это не является неисправностью.	При температуре в помещении выше 20 °С или после выключения функции суперзамораживания лампочка внутреннего освещения снова гаснет.
На стенках морозильного отделения образовался толстый слой инея.		Разморозьте морозильное отделение (смотрите описание в разделе «Размораживание морозильного отделения»). Постоянно следите за тем, чтобы дверца морозильного отделения была плотно закрыта.

Неисправность	Возможная причина	Устранение:
В морозильном отделении слишком высокая температура.	• Открыта дверца морозильного отделения.	Закройте дверцу.
	• Закрыты вентиляционные отверстия.	Обеспечьте надежную вентиляцию холодильника.
	• В морозильное отделение было загружено за один раз слишком много свежих продуктов питания.	Загружайте морозильное отделение с учетом макс. производительности замораживания.

Служба сервиса

Ближайший специализированный сервисный центр Вы сможете найти по телефонной книге или перечню Служб сервиса. Назовите, пожалуйста, сотрудникам сервисного центра номер изделия (E-Nr.) и заводской номер (FD) Вашего холодильника.

Эти данные Вы найдете в типовой табличке холодильника. **Рисунок 13**

Помогите, пожалуйста, избежать ненужных выездов специалистов, правильно указав заводской номер и номер изделия. Тем самым Вам удастся сэкономить связанные с вызовом затраты.

Рекомендації з утилізації

Утилізація упаковки

Упаковка захищає Ваш холодильник від можливих пошкоджень під час транспортування. Всі використані для виготовлення упаковки матеріали – нешкідливі для навколишнього середовища і можуть бути перероблені та використані повторно. Ми закликаємо Вас активно сприяти захисту довкілля – утилізуйте упаковку у жорсткій відповідності до екологічних норм, та наполягайте на переробці матеріалів упаковки методами, що не шкодять навколишньому середовищу.

За інформацією про актуальні та безпечні шляхи утилізації, звертайтеся, будь ласка, до спеціалізованих підприємств з переробки відходів.

Утилізація старого приладу

Старі прилади – це не просто відходи, вони містять цінні матеріали, які можуть повторно використовуватися. Здавайте старі прилади до спеціалізованих центрів з утилізації для повторного використання матеріалів та сировини.

Застереження

Перед тим, як позбавитися старого приладу:

1. витягніть штепсельну вилку;
2. відріжте електричний кабель приладу і викиньте його разом зі штепсельною вилкою.

Будь-які холодильники містять ізолюючі та охолоджувальні гази (агенти), що вимагають специфічних методів переробки та утилізації. Будьте обачні та слідкуйте за тим, щоб трубки системи циркуляції охолоджувального агента старого приладу не були пошкоджені під час транспортування до спеціалізованих центрів з утилізації.

Рекомендації з дотримання безпеки та застереження

Перед початком експлуатації приладу

Перед початком експлуатації приладу

Уважно прочитайте інструкцію з використання та встановлення Вашого холодильника! Інструкція містить важливу інформацію та поради щодо Вашої особистої безпеки, а також щодо встановлення, управління та подальшого обслуговування приладу.

Зберігайте інструкцію з експлуатації та монтажу для подальших консультацій, та для можливої передачі наступному власникові.

Технічна безпека

- Цей прилад містить невелику кількість екологічно сумісного але легкозаймистого холодагента ізобутан (Isobutan R600a). Під час транспортування та встановлення приладу уважно стежте, щоб не пошкодити трубопровід з холодагентом. Бризки холодагента можуть спричинити травми очей або спалахнути.

У разі пошкодження

- тримайте відкритий вогонь та джерела запалювання якнайдалі від приладу;
- ретельно провітритіть приміщення, в якому знаходиться прилад з пошкодженнями системи циркуляції;
- витягніть штепсельну вилку приладу з розетки;
- зателефонуйте до служби технічної допомоги або сервісного центру.

Чим більша кількість охолоджувального агента, що міститься в приладі, тим більшим має бути приміщення, в якому Ви плануєте встановити прилад. В замалих приміщеннях під час витікання охолоджуючого агента може утворитися легкозаймиста суміш з повітря та газу.

Розміри приміщення, де планується встановити прилад, мають відповідати наступній пропорції: 1 кубічний метр приміщення на кожні 8 грамів охолоджувального агента. Кількість охолоджувального агента, що міститься у Вашому холодильнику, зазначено у таблиці технічних характеристик, яка розташована всередині приладу на лівій стінці.

- Заміну електрокабелю та інші ремонтні роботи дозволяється здійснювати лише працівникам сервісної служби. Неналежним чином виконанні інсталяційні та ремонтні роботи можуть спричинити серйозну небезпеку для користувача.

Експлуатація холодильника

- Ні в якому разі не використовуйте всередині холодильника жодних електроприладів (електричних нагрівальних приладів, чи, наприклад, електричних приладів для виготовлення морозива, т. ін.). **Це може призвести до вибуху!**
- Не використовуйте електричних пароочисних пристроїв для чищення холодильника чи його розморожування! Тепла пара може осісти на електричних кабелях під кожухом пристрою та спричинити коротке замикання. **Небезпека удару струмом!**
- Не усувайте лід або іній за допомогою гострих предметів!
- Не зберігайте в холодильнику аерозольні балончики, що містять легкозаймисті гази, а також легкозаймисті вибухові речовини. **Небезпека вибуху!**
- Не використовуйте корпус, контейнери або дверцята Вашого холодильника поза призначенням, в якості, наприклад, підставок чи підпорів. Не спирайтеся та не ставайте на них.
- Перед розморожуванням чи очищенням холодильника витягніть штепсельну вилку з розетки електромережі або вимкніть запобіжник. Виймаючи вилку з електромережі, не тягніть за електрокабель, тримайте штепсельну вилку за корпус!
- Напої, що містять високий процент алкоголю повинні зберігатися тільки у герметичних упаковках та у вертикальному положенні.
- Уникайте контакту жирів та олій з пластиковими стінками холодильника та, особливо, з гумовим ущільнювачем дверцят. Пластик і гумовий ущільнювач можуть втратити структуру та стати пористими.
- Ні в якому разі не закривайте вентиляційних решіток чи отворів приладу.
- Не зберігайте в морозильній камері скляних пляшок, керамічних горщиків, скляних чи жерстяних банок з рідинами, особливо з газованими напоями. **Пляшки чи банки можуть лопнути!**
- Не беріть до рота морозиво, кубики льоду чи інші заморожені продукти, щойно витягнуті з морозильної камери. **Небезпека обмороження!**
- Уникайте тривалого контакту рук із замороженими продуктами, льодом чи трубками системи циркуляції охолоджувального агента. **Небезпека обмороження!**
- Ні в якому разі не зіскрібайте за допомогою гострих чи тупих металевих предметів лід або іній зі стінок морозильної камери. Також не відділяйте примерзлих до стінок морозильної камери продуктів – можна пошкодити стінки чи трубки системи циркуляції охолоджувального агента. Майте на увазі, що у разі витікання, охолоджувальний агент може спалахнути або спричинити травми очей.

Діти в домашньому господарстві

- Не дозволяйте дітям гратися з упаковкою або з її частинами. Діти можуть задихнутися або заплутатися в картонній коробці або пластиковому пакеті!
- Не дозволяйте дітям гратися з приладом, сидати на контейнери або гойдатися на дверцятах!
- Якщо холодильник оснащено замком, тримайте ключ подалі від дітей.

Загальні правила користування

Даний холодильник призначений для:

- охолодження та заморожування продуктів;
- приготування льоду.

Прилад призначений для використання лише в домашньому господарстві, та не розрахований на використання у промислових умовах.

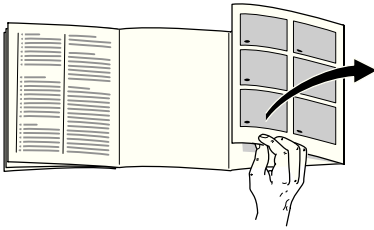
Прилад відповідає вимогам електромагнітної сумісності згідно з наступними стандартами: и ГОСТ Р 51318.14.1-99, ГОСТ Р 51318.14.2-99, ГОСТ Р 51317.3.2-99, ГОСТ Р 51317.3.3-99. ДСТУ CISPR 14-1:2004 (CISPR 14-1:2000, IDT).

Також цей прилад відповідає всім Вимогам щодо безпеки електричних приладів (EN 60335/2/24).

ГОСТ Р МЭК 60335-2-24
ДСТУ IEC 60335-2-24:2001
(IEC 60335-2-24:2000, IDT)

Герметичність системи циркуляції охолоджувального агента перевірена на заводі-виробнику.

Ознайомлення з приладом



Будь ласка, розгорніть останню сторінку з малюнками. Ця інструкція з експлуатації призначена для декількох моделей холодильників. З цієї причини можливі деякі розбіжності у комплектації та елементах управління, описаних в інструкції та наявних у Вашому холодильнику.

Малюнок 1

- 1–4 Панель управління
- 5 Вимикач внутрішнього освітлення
- 6 Лампа внутрішнього освітлення
- 7 Висувний рухомий контейнер для делікатесів чи дрібних продуктів
- 8 Полички холодильної камери
- 9 Контейнер для овочів та фруктів
- 10 Ящики для заморожування продуктів
- 11 Гвинтові ніжки, що регулюються за висотою
- 12 Дверна поличка з кришкою
- 13 Дверна поличка з лотками для яєць

- 14 Підвісна поличка для жерстяних банок
- 15 Глибока дверна поличка для високих пляшок з фіксатором-розділювачем

- A** Холодильна камера
B Морозильна камера

Панель управління

Малюнок 2

1 Клавіша вклучення/ виключення

Дана клавіша служить для вмикання та вимикання приладу.

2 Кнопка регулювання температури у холодильній камері

Натискайте кнопку доти, доки не засвітиться індикатор бажаної температури або індикатор функції швидкого охолодження «Super».

3 Індикатори регулювання температури у холодильній камері

Цифри над світлодіодними індикаторами температури відповідають температурі у холодильній камері у °C. В холодильній камері встановлена та температура, індикатор якої світиться.

4 Кнопка швидкого заморожування «SuperFreezing».

Дана кнопка служить для активування функції швидкого заморожування «SuperFreezing». Якщо функцію активовано, індикатор кнопки світитиметься жовтим кольором. Функція швидкого заморожування «SuperFreezing» служить для заморожування великої кількості свіжих продуктів, закладених одночасно. В залежності від кількості продуктів, функцію швидкого заморожування потрібно активувати за 1–24 години до моменту закладання. Дану функцію також можна активувати в разі закладання свіжих продуктів до вже заморожених, які зберігаються в морозильній камері. Це допоможе уникнути критичного підвищення температури, та негативного впливу такого підвищення на якість заморожених продуктів.

Застереження: під час роботи приладу у режимі швидкого заморожування «SuperFreezing» температура у холодильній камері також може дещо понизитися.

Звертайте увагу на температуру в приміщенні та вентиляцію

Обов'язково звертайте увагу на кліматичний клас, вказаний у таблиці з технічними характеристиками, яка знаходиться всередині холодильної камери на лівій стінці. Кліматичний клас вказує, за яких температурних умов Ваш прилад можна експлуатувати. Це означає, що температура приміщення, у якому буде встановлено холодильник, має відповідати діапазону температур, вказаному у таблиці навпроти відповідного кліматичного класу. В разі недотримання вказаних температурних режимів холодильник буде працювати у режимі підвищеної потужності, що може призвести до передчасного використання ресурсу компресора.

Кліматичний клас	Допустима температура в приміщенні
SN	від +10 °C до 32 °C
N	від +16 °C до 32 °C
ST	від +18 °C до 38 °C
T	від +18 °C до 43 °C

Вентиляція

Під час роботи холодильника повітря за задньою стінкою приладу нагрівається. Нагріте повітря повинне мати можливість безперешкодно циркулювати, інакше холодильник почне працювати у режимі підвищеної потужності, що спричинить марні витрати електроенергії.

Отже, звертайте особливу увагу на те, щоб вентиляційні отвори холодильника не були перекриті!

Підключення приладу до електромережі

Після встановлення холодильника на його постійному місці слід зачекати принаймні півгодини перед тим, як його ввімкнути, оскільки під час транспортування компресорне масло могло потрапити до системи циркуляції охолоджувального агента.

Перед початком експлуатації прилад слід вимити всередині (див. розділ «Миття приладу»).

Електрична розетка повинна знаходитися у легкодоступній місці.

Підключайте прилад до електромережі перемінного струму з параметрами 220–240 В/50 Гц через окрему розетку з заземленням, відповідно до існуючих вимог. Електрична розетка має бути захищена запобіжником, розрахованим на струм 10 А–16 А.

В разі, якщо холодильник буде експлуатуватись у країнах, що не входять до Європейського Союзу, необхідно перевірити, чи показники напруги та струму відповідають вимогам Вашої національної електромережі. Табличка характеристик приладу знаходиться на лівій боковій стінці всередині холодильної камери.

Якщо у Вашому холодильнику необхідно замінити штепсельну вилку для її відповідності національній електромережі, це має право робити лише кваліфікований електрик або майстер сервісного центру.

Застереження!

Ні в якому разі не підключайте прилад до електронних пристроїв з метою заощадження електроенергії, а також до перетворювачів постійного струму в перемінний струм 230 В (наприклад, до сонячних батарей, електричних установок суден).

Ввімкнення приладу

Щоб ввімкнути прилад натисніть кнопку ввімкнення/вимкнення

Малюнок 2/1.

Оберіть бажану температуру у холодильній камері шляхом натискання кнопки регулювання температури у холодильній камері

Малюнок 2/2.

Індикатор обраної температури буде блимати доти, доки ця температура не буде досягнута у холодильній камері

Малюнок 2/3.

Після цього при відкритих дверцятах ввімкнеться внутрішнє освітлення холодильної камери, і прилад почне нагнітати холод.

Вибір температури

Натисніть декілька разів кнопку регулювання температури в холодильній камері поки не засвітиться індикатор бажаної температури.

На заводі-виробнику були встановлена стандартна температура:

Холодильна камера: +4 °C

Ми рекомендуємо дотримуватись температури у холодильній камері на рівні +4 °C.

Продукти недовготривалого зберігання та продукти, що швидко псуються, слід зберігати при температурі не вищій за +4 °C.

Рекомендації з експлуатації

- Бокові стінки корпусу холодильника незначно підігріваються, це запобігає утворенню конденсату навколо ущільнювача дверцят.
- Під час роботи приладу на задній стінці холодильної камери осідають краплі води або іній, що зумовлено конструктивними особливостями роботи приладу. Немає потреби зішкрібати іній або збирати краплі води, задня стінка розморожується автоматично. Конденсат стікає по жолобу у спеціальну ємність біля компресора, звідки потім випаровується – див.

Малюнок 3

- Якщо дверцята морозильної камери не відчиняються відразу після того, як Ви їх зачинили, зачекайте, будь ласка, 2–3 хвилини, доки не компенсується утворений понижений тиск.

- Дверцята морозильної та холодильної камер відчинюються під різними кутами:

Холодильної камери: 90°
під кутом прибл.

Морозильної камери: 180°
під кутом прибл.

Розміщення продуктів харчування у холодильній камері

Зверніть увагу на те, що температура у різних зонах холодильної камери відрізняється!

Внаслідок циркуляції повітря в холодильній камері утворюються різні за температурою зони:

• Найхолодніша зона

Найхолодніша зона знаходиться біля задньої стінки та на нижніх полицях холодильної камери. Застереження: за умови вибору низьких температур в цій зоні може виникнути температуру нижче нуля!

Зберігайте у найхолоднішій зоні продукти, що швидко псуються, наприклад, рибу та ковбасні вироби, м'ясо. Див. **Малюнок 4**.

• Найтепліша зона

Найтепліша зона знаходиться у верхній частині дверцят. У найтеплішій зоні слід зберігати, наприклад, сир та масло, оскільки сир збереже свої смакові якості та аромат, а масло залишатиметься відносно м'яким і його легко буде намазати на тост.

Розміщуючи продукти у холодильнику, зверніть увагу на наступне:

Зберігати продукти у холодильнику необхідно ретельно упакованими або у щільно закритому посуді. В такий спосіб можна уникнути пересихання, втрати смаку, аромату та харчових якостей продуктів. Крім того, упаковка запобігає змішуванню та перейманню запахів та смакових якостей різними продуктами один в одного, та захищає пластикові деталі Вашого холодильника від забарвлення внаслідок контакту з продуктами харчування.

Овочі, фрукти і зелень можуть зберігатися в контейнерах для овочів без додаткового упакування.

Перед тим, як покласти в холодильник гарячі продукти та напої охолодіть їх до кімнатної температури.

Зауваження:

Скляні полицки в холодильній камері можна за потребою переставляти на різні рівні висоти. Для того, щоб переставити полицку, потягніть її до себе, нахиліть трішки донизу та вийміть, як показано на **Малюнку 5**.

Практичні поради щодо розташування продуктів у холодильнику:

- в морозильній камері розміщуйте швидкозаморожені продукти, кубики льоду, морозиво;

- на полицках у холодильній камері розміщуйте (зверху донизу): випічку, готові страви, молочні продукти, м'ясо, ковбасні вироби;
- в контейнері для фруктів та овочів розміщуйте свіжі овочі та фрукти, зелень;
- на дверцятах (зверху донизу): масло, сир, яйця, різноманітні тюбики та пакетики з приправами чи соусами, малі та великі пляшки, молоко та молочні продукти, пакети з фруктовими соками.

Корисний об'єм

Інформацію щодо корисного об'єму Вашого холодильника Ви знайдете у таблиці з технічними даними, що розташована всередині холодильника на лівій внутрішній стінці.

Спеціальне оснащення

(не у всіх моделях)

Висувний контейнер для делікатесів та дрібних продуктів

Висувний контейнер дуже зручний у користуванні, оскільки його можна розміщувати у будь-якому зручному для Вас місці – він вільно рухається вздовж полицки. За потреби його можна легко вийняти з холодильника для закладання продуктів.

Див. **Малюнок 6**.

Металева підвісна решітка для пляшок

Така решітка служить для безпечного та зручного зберігання пляшок. Пляшки надійно розміщуються на решітці, та не випадають при відкриванні та закриванні дверцят холодильника. Решітку можна переміщувати вздовж полицки у зручне для Вас місце. Див. **Малюнок 7**.

Фіксатор для пляшок та високих пакетів на дверній полиці

Фіксатор запобігає хитанню та перекиданню пляшок та високих пакетів під час відкривання та закривання дверцят холодильника. Див. **Малюнок 8**.

Холодильна камера

Діапазон температур від +2 °C до +8 °C.

Використання холодильної камери

Холодильна камера використовується для зберігання випечених виробів, готових страв, консервів, молока та молочних продуктів, сирів всіх видів, фруктів та овочів, в тому числі чутливих до холоду південних фруктів та овочів, як, наприклад, мандарини, банани, ананаси, авокадо, баклажани, інше.

Морозильна камера

Використання морозильної камери

Морозильна камера використовується для:

- зберігання швидкозаморожених продуктів;
- приготування кубиків льоду;
- заморожування свіжих продуктів.

Пильнуйте, щоб дверцята морозильної камери завжди були щільно зачиненими. За умови відчинених дверцят існує небезпека критичного підвищення температури у морозильній камері. В такому разі Ваші продукти можуть розморозитись або вкритися памороззю, а стінки Вашого холодильника – товстим шаром льоду. Це призводить до зайвих витрат електроенергії та псування продуктів.

Заморожування та зберігання продуктів

На що слід звернути увагу при купівлі швидкозаморожених продуктів

Слідкуйте за тим, щоб упаковка не була пошкоджена.

Зверніть увагу на термін зберігання заморожених продуктів.

Температура зберігання заморожених продуктів у морозильній шафі в магазині повинна становити $-18\text{ }^{\circ}\text{C}$ або нижче.

Заморожені продукти слід перевозити по можливості у сумці-термосі та якнайшвише покласти до морозильної камери вдома.

Зберігання заморожених продуктів

- Для бездоганної циркуляції повітря у морозильній камері важливо, щоб бокси для заморожування були засунуті на повну глибину.
- Якщо потрібно завантажити велику кількість продуктів їх можна складати прямо на скляні полицки, що містяться між боксами для заморожування, попередньо вийнявши бокси для заморожування з морозильної камери. Щоб вийняти бокси потягніть їх до себе аж до досягнення обмежувача, потім злегка підніміть та вийміть з морозильної камери як це вказано на **Малюнку 9**.

Приготування кубиків льоду

Заповніть ванночку для льоду на три чверті водою та покладіть до морозильної камери. Щоб прискорити процес замерзання ванночку з водою слід класти у верхній висувний бокс морозильної камери. В разі, якщо ванночка примерзне до стінок боксу, стінок морозильної камери чи скляної полицки її можна відокремлювати лише за допомогою тупого предмета, наприклад, ручки ложки.

Щоб вийняти заморожені кубики льоду з ванночки її можна потримати під струменем проточної води впродовж декількох хвилин, або злегка вигнути, як вказано на **Малюнку 10**.

Функція швидкого заморожування «SuperFreezing»

Функція швидкого заморожування «SuperFreezing» служить для пришвидшення процесу заморожування великої кількості свіжих продуктів, закладених одночасно.

Також, дана функція може бути активована у випадках, коли до вже заморожених продуктів закладається відносно велика кількість свіжих продуктів. Активування цієї функції унеможливить природне підвищення температури всередині морозильної камери у таких випадках.

За нормальних умов та заморожування невеликої кількості продуктів достатньо активувати функцію швидкого заморожування за 4–6 годин.

Для використання максимальної потужності заморожування дану функцію потрібно активувати за 24 години до закладання великої партії свіжих продуктів. Невеликі партії продуктів можна заморожувати і без використання функції швидкого заморожування. Для ввімкнення функції швидкого заморожування просто натисніть кнопку швидкого заморожування, як це вказано на **Малюнку 2/4**.

Через певний час, а саме після досягнення необхідної температури всередині морозильної камери прилад автоматично перейде у режим робочої температури, що була Вами обрана перед активуванням функції швидкого заморожування. Найпізніше прилад може перейти до нормального режиму роботи через 2½ доби.

Заморожування продуктів

Продукти, що зморожуються повинні якомога швидше повністю промезнути. Щоб найкраще зберегти вітаміни, поживні речовини, вигляд та смак Ваших продуктів не слід перевищувати максимальної здатності заморожування Вашого приладу.

Здатність заморожування

Дані про максимальну здатність заморожування, або здатність заморожування за 24 години, містяться у таблиці технічних характеристик, що знаходиться всередині холодильної камери на лівій стінці.

Максимальна потужність заморожування досягається на середній полиці морозильної камери.

Заморожені продукти не повинні торкатися продуктів, які Ви щойно заклали для заморожування.

З метою збереження смакових властивостей та запобігання вимерзанню заморожених продуктів щільно упакуйте їх перед завантаженням до морозильної камери, щоб унеможливити потряплення повітря всередину упаковки.

Правила упаковки продуктів для заморожування

Для упаковки продуктів придатні:

різноманітні плівки для харчових продуктів з синтетичних матеріалів, поліетиленові «рукави», алюмінієва фольга, різноманітні контейнери, призначені спеціально для заморожування. Всі ці продукти Ви можете знайти у спеціалізованих крамницях.

Для упаковки непридатні:

пакувальний папір, пергаментний папір, целофан, сміттєві мішки, використані поліетиленові пакети.

Для закриття упаковки придатні: спеціальні гумові кільця, пластмасові затискачі, нитки, стійкі до низьких температур клейкі стрічки, пластикові стрічки, таке інше. Поліетиленові мішки та «рукави» можна склеювати за допомогою спеціальних пристроїв для термосклеювання поліетилену.

Термін зберігання заморожених продуктів

Термін зберігання залежить від виду продукту. При придбанні заморожених продуктів, звертайте увагу на дату виробництва або дату закінчення терміну придатності.

риба, ковбаса, готові страви, випечені вироби	до 6 місяців
сир, птиця, м'ясо	до 8 місяців
овочі, фрукти	до 12 місяців

Розморожування заморожених продуктів

В залежності від виду продукту та його подальшого використання можна вибрати один з наступних способів розморожування:

- при кімнатній температурі;
- в холодильнику;
- у електричній духовій шафі з або без вентилятора;
- у мікрохвильовій печі.

Застереження:

Продукти, які були повністю або частково розморожені в жодному разі не можна заморожувати знову. Повторне їх заморожування можливе лише у вигляді готових страв та у придатному посуді чи упаковці.

Заморожені продукти слід вжити до закінчення терміну їх збереження, що вказаний на упаковці.

Вимкнення приладу та зупинка роботи приладу

Натисніть кнопку ввімкнення/вимкнення приладу – **Малюнок 2/1**. Індикатор температури у холодильній камері – **Малюнок 2/3** та лампа внутрішнього освітлення погаснуть. Холодильник припинить охолодження.

Зупинка роботи приладу

Якщо прилад тривалий час Вами не використовується:

1. вимкніть прилад;
2. витягніть штепсельну вилку з розетки;
3. вимийте прилад;
4. залиште дверцята відкритими на весь час, впродовж якого Ви не користуватиметеся холодильником.

Розморожування морозильної камери

Для розморожування морозильної камери виконайте наступне:

- Вийміть бокси з замороженими продуктами. Покладіть акумулятори холоду безпосередньо на продукти (за умови, що Ваш холодильник укомплектовано акумуляторами холоду). Загорніть заморожені продукти у декілька шарів газетного паперу та покладіть у холодне місце.
- Витягніть штепсельку вилку з розетки або вимкніть запобіжник.
- Розморозьте прилад.
- Після розморожування зберіть талу воду у морозильній камері гумкою чи ганчіркою.
- Вимийте прилад теплою водою з невеликою кількістю миючого засобу. Гумовий ущільнювач навколо дверцят вимийте лише чистою водою і потім витріть насухо.
- Ввимкніть прилад.
- Покладіть заморожені продукти до морозильної камери.

Аерозолі для прискорення розморожування

В разі використання спеціальних аерозолів для прискорення процесу розморожування, обов'язково дотримуйтесь рекомендацій виробника.

Миття приладу

1. Витягніть штепсельну вилку з розетки або вимкніть запобіжник.
2. Вимийте прилад всередині теплою водою з невеликою кількістю миючого засобу, після чого промийте прилад лише чистою водою, щоб видалити залишки миючого засобу, та витріть насухо. Пильнуйте, щоб вода з миючим засобом не потрапила на панель управління, зображену на **Малюнку 2**. Використовуйте для миття м'яку гумку без жорстких абразивних поверхонь.
3. Гумовий ущільнювач навколо дверцят вимийте лише чистою водою і потім витріть насухо.
4. Закінчивши миття, підключіть прилад до електромережі та ввимкніть.

Під час миття дверні полицки можна зняти для зручності, як вказано на **Малюнку 11**.

Не користуйтеся абразивними засобами та засобами, що містять кислоти або розчинники для миття та чищення приладу.

Регулярно прочищайте стічний жолобок, яким стікає тала вода, та отвір, через який вона витікає з холодильної камери. Отвір можна прочистити, наприклад, гігієнічною косметичною паличкою.

Малюнок 13.

Уникайте потрапляння води, якою Ви миєте прилад, до стічного жолобу. Вода не повинна стікати стічним жолобом назовні, оскільки він призначений лише для талої води, яка, зазвичай, збирається у невеликій кількості.

Застереження

В жодному разі не мийте бокси та полицки у посудомийній машині. Вони можуть деформуватися!

Заощадження енергії

- Встановіть холодильник в сухому, добре провітрюваному приміщенні, в захищеному від прямого сонячного проміння місці, подалі від джерел тепла (батареї, кухонні плити тощо). В іншому разі використовуйте ізоляційну плитку для ізоляції приладу від джерел тепла.
- Гарячі страви та напої слід охолодити перед тим, як класти їх до холодильника.
- Кладіть заморожені продукти у холодильник для розморожування. Це дозволить Вам використати акумуляований у заморожених продуктах холод для охолодження та, відповідно, заощатити електроенергію, оскільки Ваш холодильник працюватиме певний час з меншою потужністю.
- Намагайтесь якомога коротший час тримати дверцята відчиненими.
- Вчасно розморожуйте та мийте прилад.
- Час від часу очищуйте задню зовнішню стінку холодильника пилоососом або щіткою, щоб запобігти надмірному використанню електроенергії через пилоутворення.

Шуми при експлуатації

Звичайні шуми

Гудіння – працює холодильний агрегат.

Булькання, дзижчання або клетотання – холодильний засіб тече по трубам.

Клацання – мотор включається або вимикається.

Як усунути причини деяких шумів

Вирівняйте прилад

Якщо прилад встановлено нерівно, це може спричинити деякі види шуму під час роботи. Вирівняйте, будь ласка, прилад за допомогою ватерпасу. Для вирівнювання використовуйте гвинтові передні ніжки, зображені на **Малюнку 11/16**, або, в разі необхідності, підкладіть щось під холодильник.

Переконайтеся, що холодильник не торкається меблів чи інших приладів

Іноді причиною зайвого шуму може бути занадто близьке розташування меблів чи інших побутових приладів, які торкаються холодильника. Відсуньте холодильник від розташованих поряд меблів або інших приладів.

Переконайтеся, що обладнання всередині холодильника встановлено правильно

Висувні контейнери або полицки всередині холодильника можуть бути помилково чи поспіхом встановленими неналежним чином. Перевірте, будь ласка, чи правильно встановлені елементи, які виймаються, і за необхідності встановіть їх правильно.

Перевірте, чи посуд всередині холодильника не торкається один одного

Іноді зайвий шум спричиняється посудом, який торкається один одного в холодильнику. Розставте пляшки та посуд подалі один від одного.

Як самостійно усунути незначні несправності в роботі приладу

Перед тим, як звернутися до сервісного центру перевірте, чи можете Ви самостійно усунути дрібні несправності в роботі приладу.

Дослухайтеся наших рекомендацій щодо дрібних несправностей, що викладені нижче.

В разі, якщо Ви забажаєте викликати майстра з сервісного центру з причин виникнення дрібних несправностей, наведених у таблиці нижче, Вам доведеться заплатити за виклик та консультацію навіть, якщо холодильник ще знаходиться на гарантії!

Несправність	Можлива причина	Усунення
Температура дуже відрізняється від обраної.		<p>В деяких випадках достатньо вимкнути прилад на 5 хвилини.</p> <p>Якщо температура вища за обрану Вами, перевірте відповідність температури через декілька годин;</p> <p>Якщо температура нижча за обрану Вами, перевірте відповідність температури наступного дня.</p>
Внутрішнє освітлення не функціонує.	Перегоріла лампочка внутрішнього освітлення	<p>Замініть лампочку. Див. Малюнок 12.</p> <ol style="list-style-type: none"> 1. Витягніть штепсельну вилку із розетки або вимкніть запобіжник. 2. Замініть лампочку (параметри лампочки та електромережі: потужність лампочки 15 Ватт макс, напруга мережі 220–240 В, перемінний струм, патрон E14).

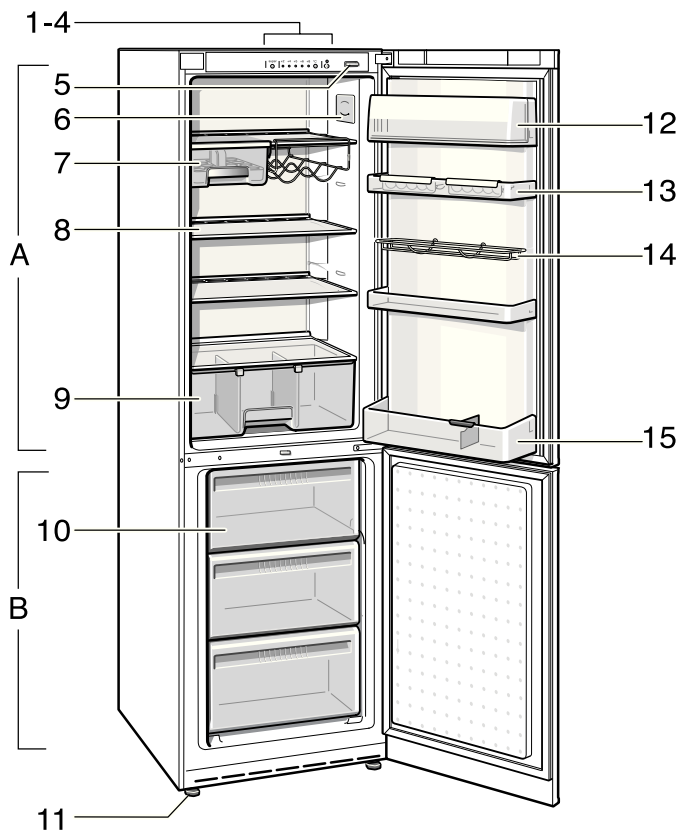
Несправність	Можлива причина	Усунення
На дні холодильної камери накопичується вода.	Вимикач внутрішнього освітлення затиснутий. Див. Малюнок 1/5	Перевірте, чи вимикач вільно рухається.
Індикатори температури не світяться.	Відсутня напруга в електромережі. Запобіжник вимкнено.	Перевірте наявність електроенергії. Запобіжник повинен бути ввімкнений.
Температура у холодильній камері занадто низька	Штепсельна вилка не вставлена в розетку належним чином.	Перевірте, чи надійно вставлена штепсельна вилка у розетку
На стінках морозильної камери утворився товстий шар паморозі.	Встановлена занадто низька температура у холодильній камері.	Встановіть вищу температуру у холодильній камері. Детальніше про регулювання температури читайте у розділі «Вибір температури» та див. Малюнок 2 . Розморозьте морозильну камеру. Детальний опис дивіться у розділі «Розморозжування морозильної камери». Слідкуйте за тим, щоб дверцята морозильної камери завжди були щільно зачинені.

Несправність	Можлива причина	Усунення
Температура в морозильній камері занадто висока.	• Дверцята морозильної камери відчинені.	Закрийте дверцята.
	• Отвори для циркуляції повітря закриті.	Забезпечте циркуляцію повітря.
	• До морозильної камери покладено воднораз занадто багато продуктів.	Завантажуйте для заморожування таку кількість продуктів, яка не перевищує максимальну здатність заморожування. Після усунення можливих несправностей, індикатор попередження через деякий час вимкнеться.

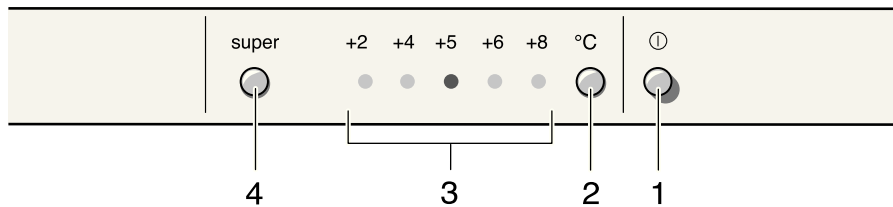
Сервісні центри

За інформацією щодо найближчих сервісних центрів Ви можете звернутися до телефонних довідників чи довідкових служб Вашого міста. Звертаючись безпосередньо до сервісного центру, назвіть номер приладу (E-Nr.) та його заводський номер (FD). Цю інформацію Ви знайдете у таблиці технічних характеристик, що розміщена всередині холодильної камери на лівій внутрішній стінці.
Див. **Малюнок 13**

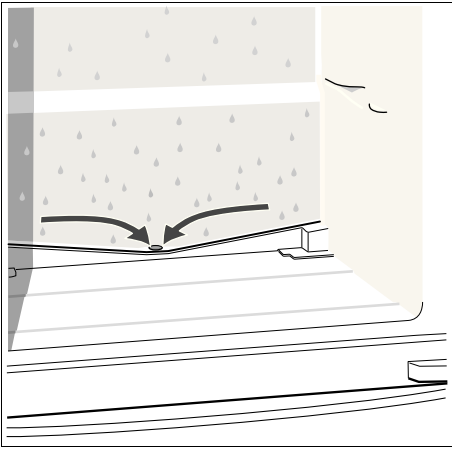
Назвавши номер приладу та його заводський номер Ви допоможете уникнути зайвих поїздок працівників сервісного центру та заощадити пов'язані з цим витрати.



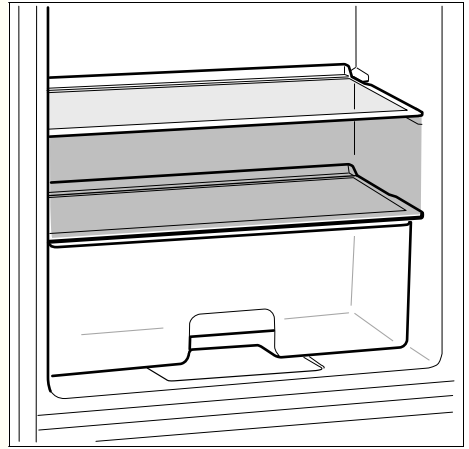
1



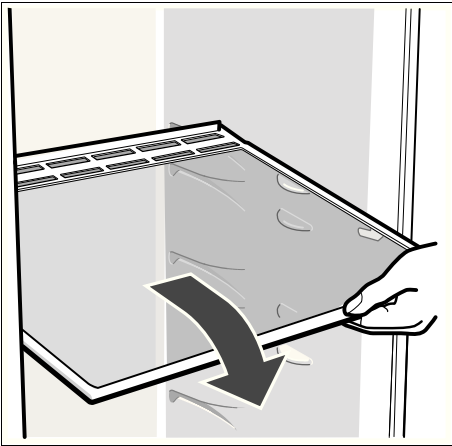
2



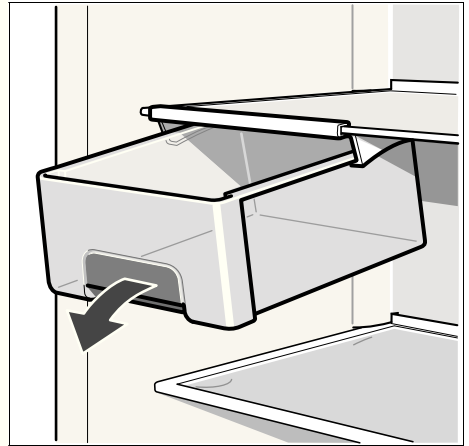
3



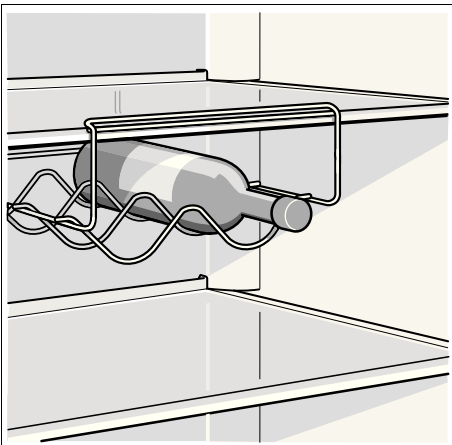
4



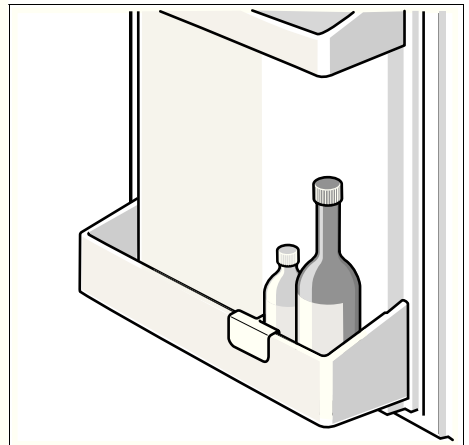
5



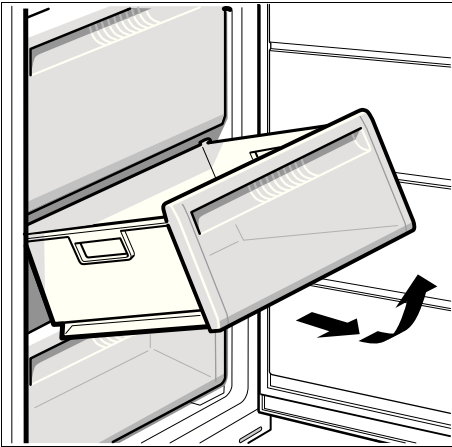
6



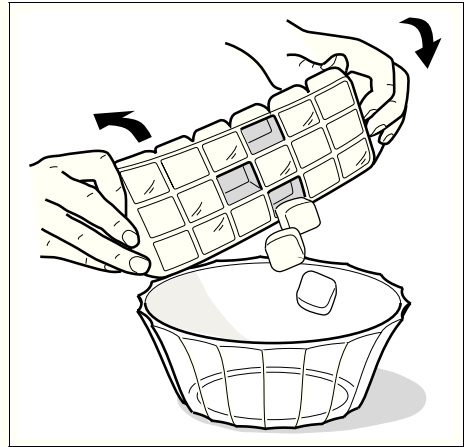
7



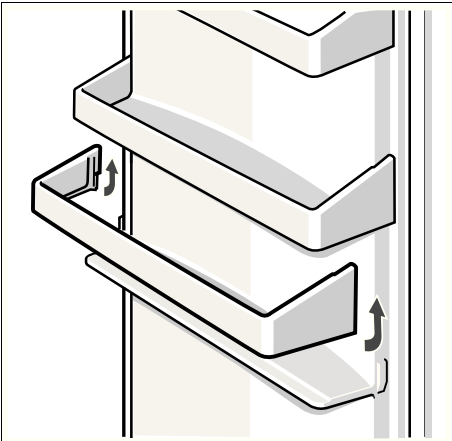
8



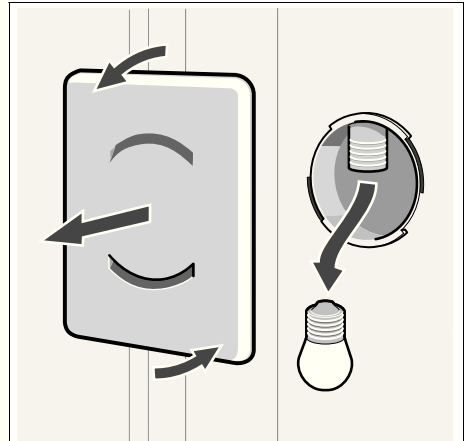
9



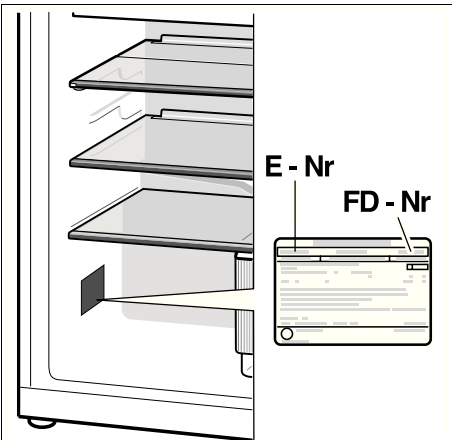
10



11



12



13

Bosch Infoteam (Mo-Fr: 8.00-18.00 Uhr erreichbar)

Für Produktinformationen sowie Anwendungs- und Bedienungsfragen:

Tel.: **01805 304050*** oder unter **bosch-infoteam@bshg.com**

*) 0,14 EUR/Min aus dem Festnetz der T-Com, Mobil ggfs. abweichend.

Nur für Deutschland gültig!

Subject to alterations.

Право на внесение изменений оставляем за собой.

Виробник залишає за собою право на внесення змін та доповнень до даної інструкції з експлуатації.